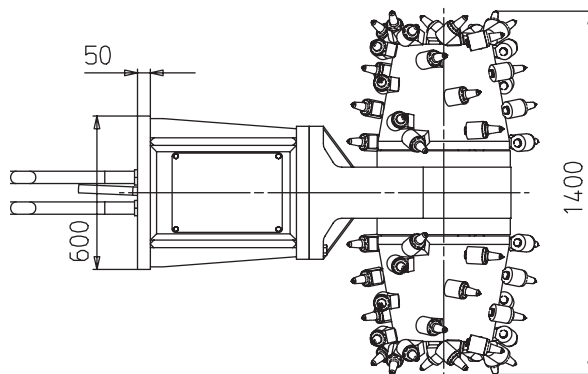
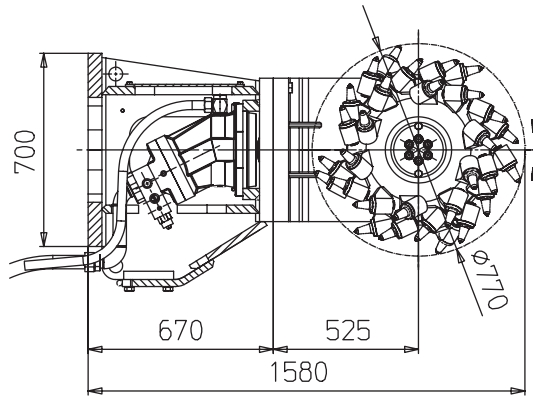
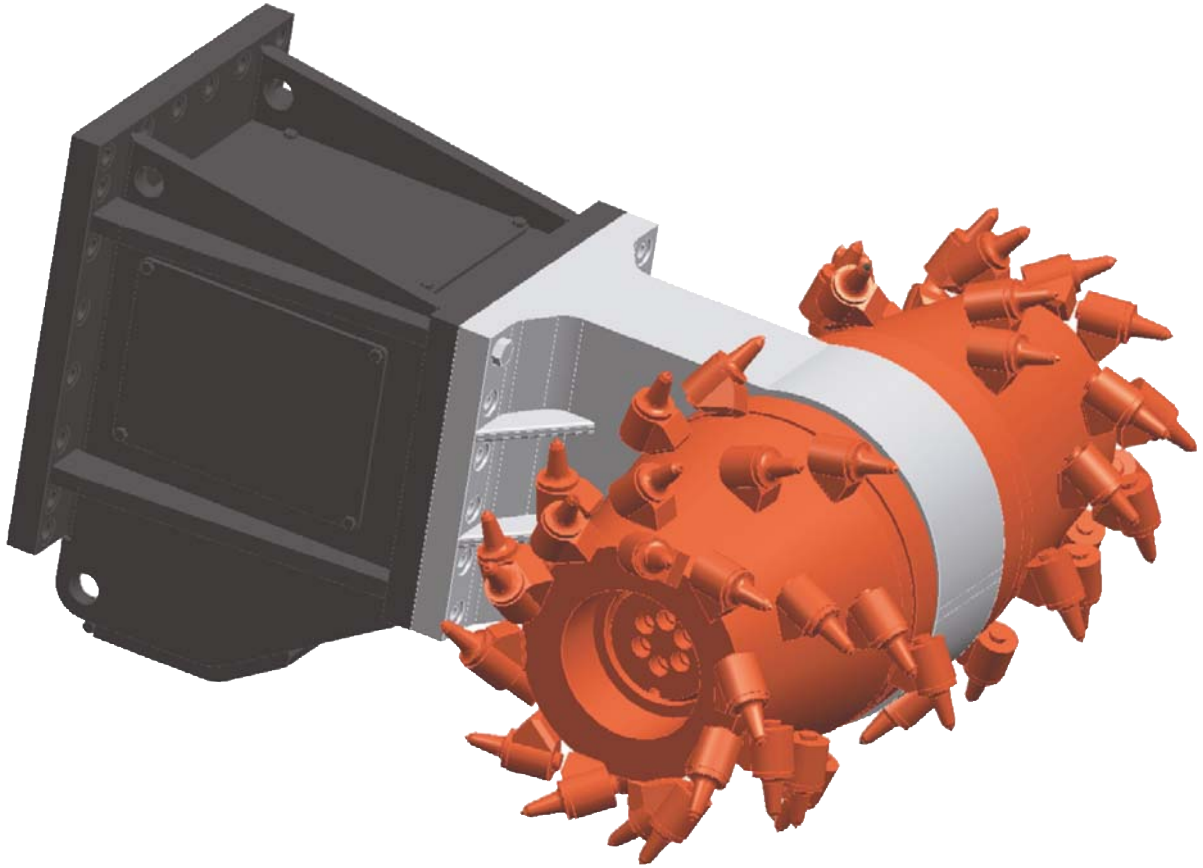


# Cutting Attachment MA720



# Cutting Attachment MA720

The hydraulic cutting unit as an attachment for hydraulic excavators is an ideal complementary tool to close the gap between shovel and hammer/breaker or ripper.



## Technical Data, MA720\*

### Technical Data Hydraulic (supplied by the excavator)

Oil pressure**	310 bar	4495 psi
Oil flow**	390 l/min	105 usgal/min
Recommended Diesel Power	min. 200 kW	min. 265 hp

### Technical Data Cutting Unit\*\*\*

Output torque	25.800 Nm	228.385 lbfm
Output speedl	74 min <sup>-1</sup>	74 min <sup>-1</sup>
Cutter head diameter	770 mm	30.3 in
Cutting force	67.000 N	15,050 lbf
Cutting speed	3,0 m/s	117,5 in/s

### Weight of cutting unit

3.065 kg	6.750 lb
----------	----------

### Recommended Carrier Weight

>45 t	>99.180 lb
-------	------------

\* All rights for technical modification are reserved

\*\* Independent from other moves of the boom

\*\*\* Dependent on the hydraulic supply of the excavator



# Cutting Attachment MA720

HOLE PATTERN ACC. TO DRAWING NUM: 668.11071.812  
BASE PLATE THICKNESS = 50 MM

